

# ENGINEERED PRODUCTS

## Roof Curb Kit - RC015\* (-1, -2, -3, -4)

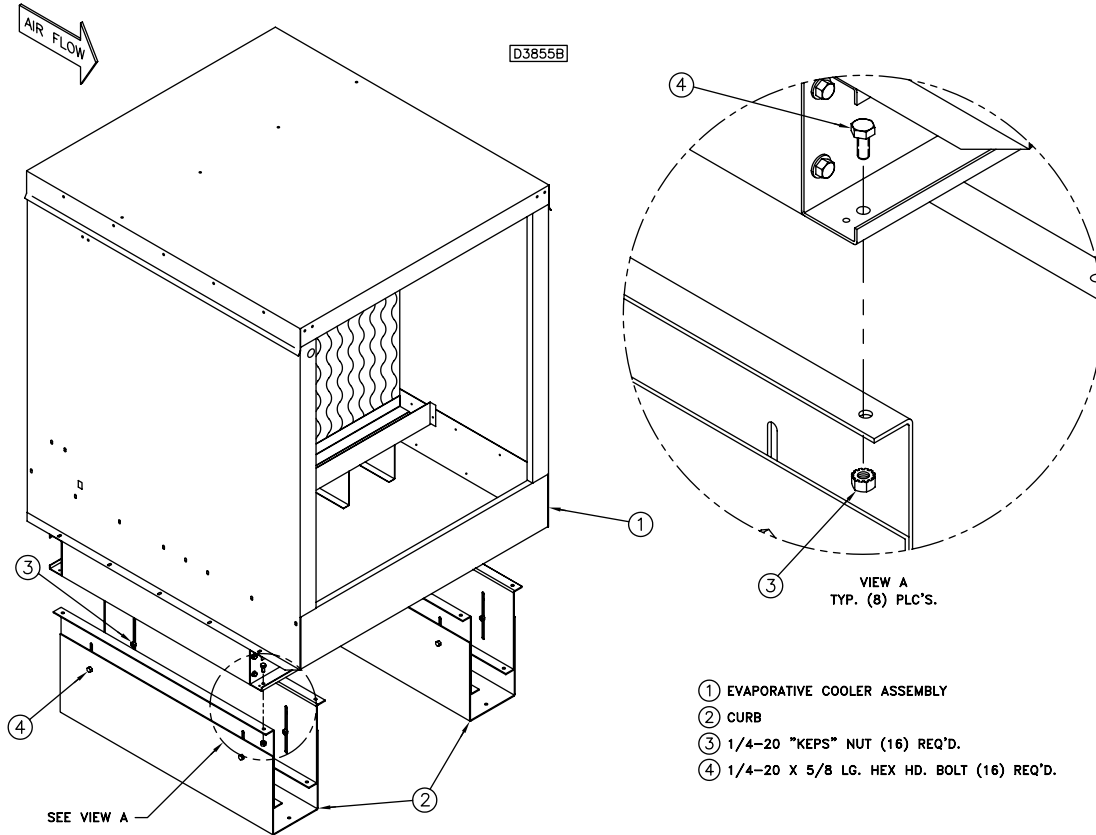
For use with:

Unit type (UT) - EV

Capacities (CA) - 10/80

\*Evaporative Cooler Platform Only

(Included with Roof Curb Kit No's RC002, RC004, RC008, RC012)



EVAPORATIVE COOLER CURB/PLATFORM MOUNTING ASSY  
7-21-03

\*One Platform Kit fits All Evaporative Cooler Modules/Capacities (CA) - 10/80

### Approximate Curb Kit Shipping Weight

Curb Kit No.	Capacity (CA)	Weight (lbs.)
RC015-1	10/15	30
RC015-2	20/25/50	
RC015-3	30/35/60/70	
RC015-4	40/80	

1 lb. = 0.453 kg



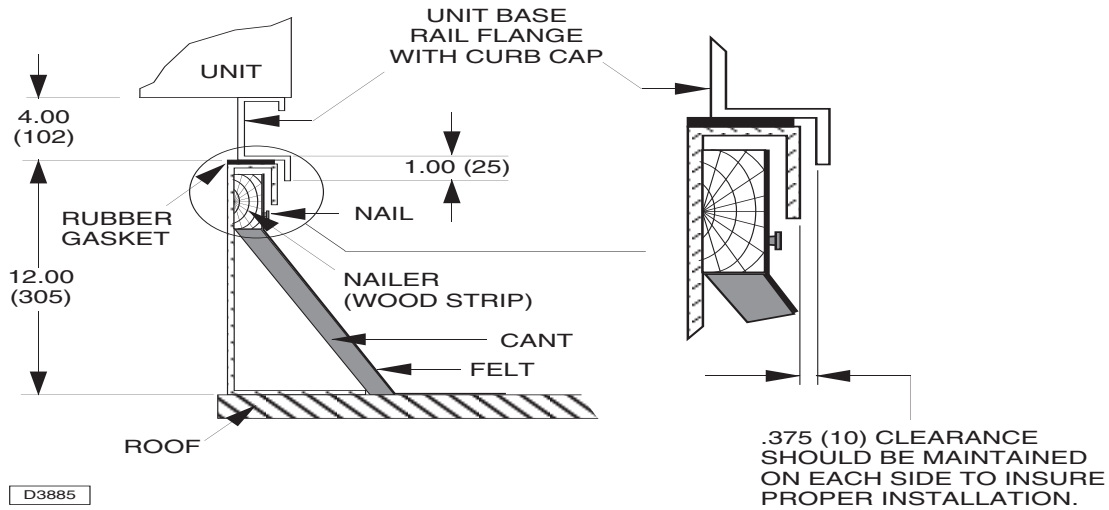
260 NORTH ELM ST. WESTFIELD, MA 01085  
(413) 564-5540 • FAX: (413) 562-5311

www.sterlinghvac.com  A MESTEK COMPANY

Project: \_\_\_\_\_

Unit Tag: \_\_\_\_\_

## Evaporative Cooler Kit - #RC015



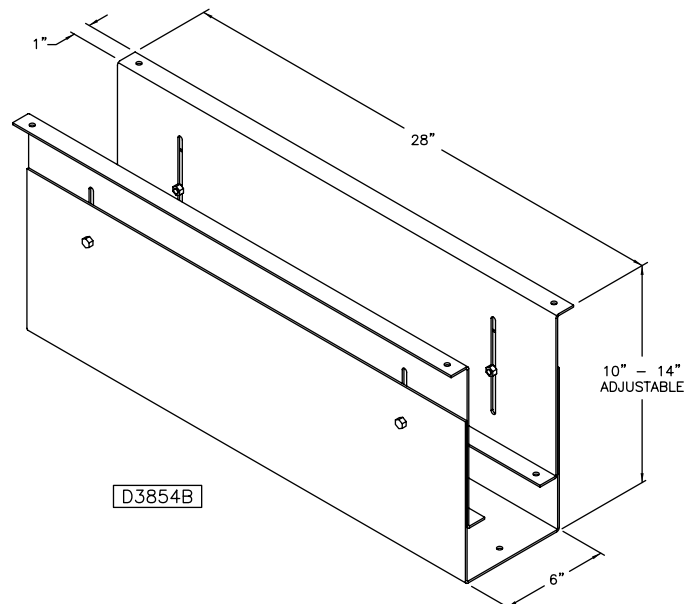
### CURB MOUNTING DETAIL

### Club Platform to Unit Assembly

#### Roof Curb Kit RC015

##### Contents:

- ① Evaporative Cooler Assembly (sold separately)
- ② Curb (2 platforms per kit)
- ③ 1/4-20 "KEPS" Nut (8) required
- ④ 1/4-20 x 5/8 LG. Hex HD. Bolt (8) required



EVAPORATIVE COOLER CURB/PLATFORM DIMENSIONAL DWG  
7-21-03